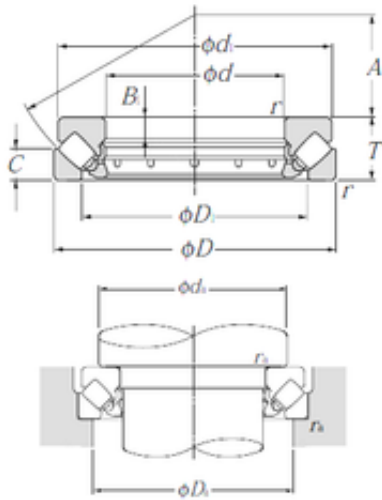




# Vickers PUMP LIMITED



## 29444 NTN Thrust Spherical Roller Bearing

Bearing No. 29444

Size	220x420x122 mm
Bore Diameter	220 mm
Outer Diameter	420 mm
Width	122 mm
d	220 mm
D	420 mm
T	122 mm
B1	43 mm
C	58 mm
d1	400 mm
r min.	6 mm
A	132 mm
D1	308 mm
da min.	310 mm
Da max.	355 mm
ra max.	5 mm
Weight	77,8 Kg
Basic dynamic load rating (C)	2 300 kN
Basic static load rating (C0)	8 100 kN
Category	Roller Bearings
Inventory	0.0
Manufacturer Name	NTN
Minimum Buy Quantity	N/A
Weight / Kilogram	77.3
Product Group	B04311
bore diameter:	220 mm

29444 Bearing 2D drawings and 3D CAD models



## Vickers PUMP LIMITED

bearing material:	Through Hardened Steel
outside diameter:	420 mm
operating temperature range:	-40 to 120 ° C
overall width:	122 mm
maximum rpm:	760 rpm
cage type:	Machined - Two Piece
separable type:	Separable Bearing
enclosure:	Open
fillet radius:	6 mm
cage material:	Brass
series:	294
static load capacity:	8100000 N
manufacturer product page:	<a href="#">Click here</a>
dynamic load capacity:	2300000 N